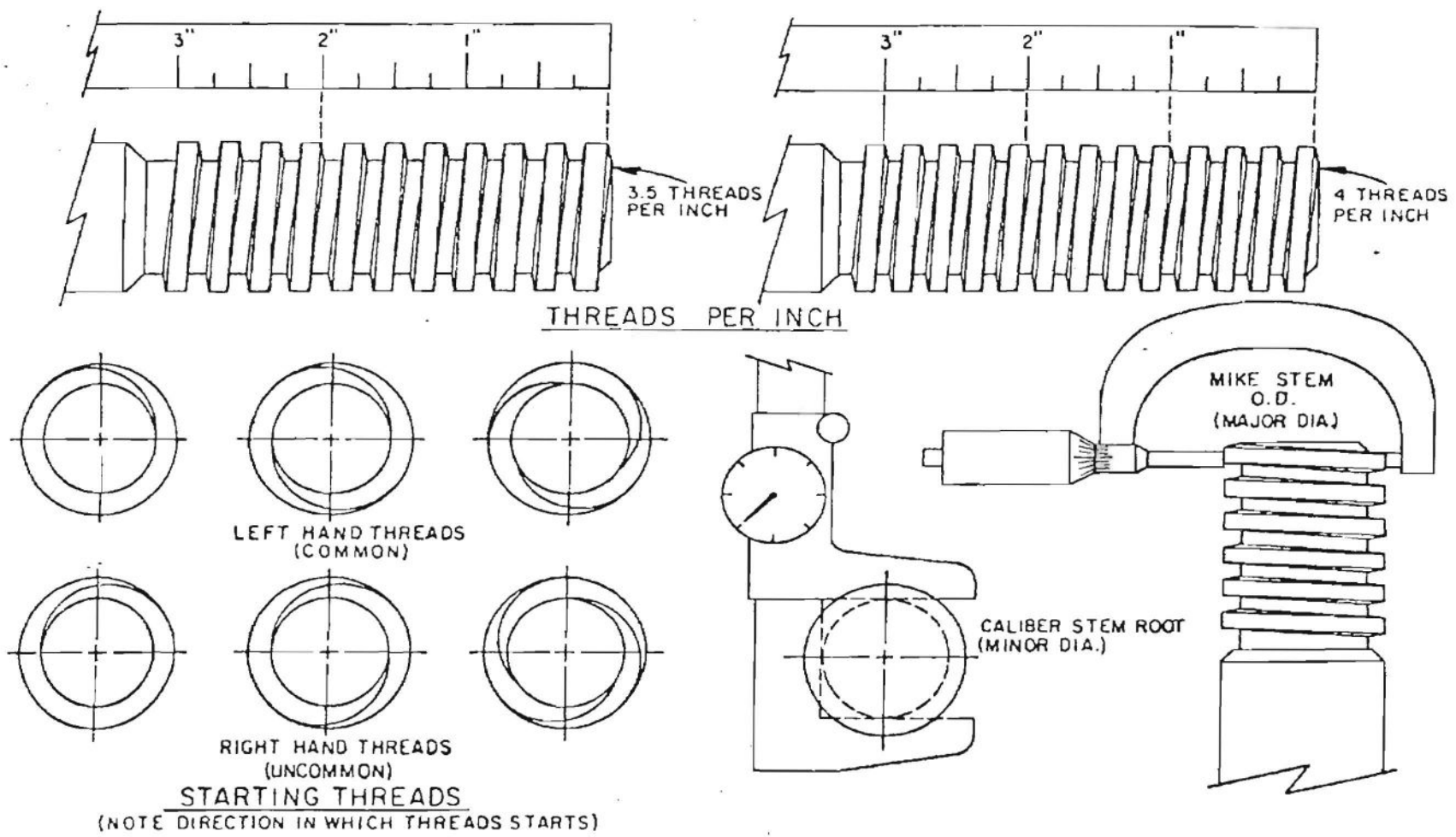


MEASURE AT LEAST 2" OF THREAD ON ALL STEMS  
 SOME STEMS MAY BE AN ODD NUMBER OF THREAD PER INCH  
 NOTE THE EXAMPLES BELOW



VALVE MFG:	STEAM THREAD O.D.:
VALVE SIZE:	CALIBER STEM ROOT DIA:
VALVE FIG NO:	NO. OF THREADS PER INCH:
ACTUATOR MFG. & SIZE:	NO. OF STARTING THREADS:
DESIRED STROKE TIME:	RIGHT HAND OR LEFT HAND THREAD?

